



## Main Features:-

- ◆ 2PC Full Bore Ball Valve
- ◆ F-4 DN 65 DN 100, F-5 DN 125 DN 200
- ◆ Fire Safe Design
- ◆ Working Temperature -30 to +180C \*
- ◆ Ball seats PTFE + 15 % G.F

\*Temperature and pressure determined by valve body, seat etc.



## Suitable Applications & Approvals:



HVAC



OIL



GAS



INDUSTRY



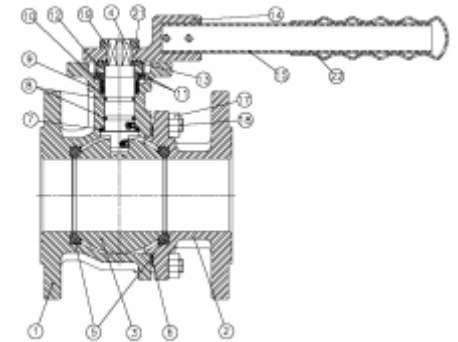
ATEX

## SERIES: 80038

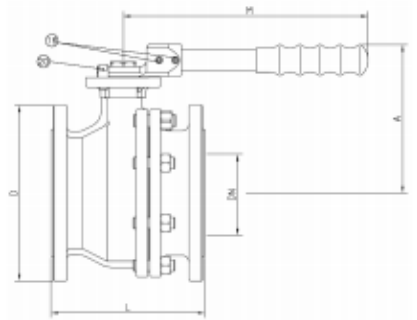
MANUFACTURER: **GENEBRE**

VALVE MATERIALS & DIMENSIONS

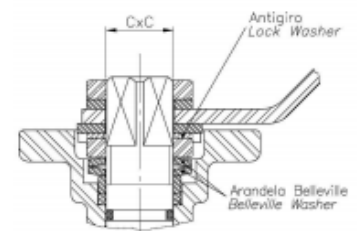
ITEM	SECTION	MATERIAL	ADDITIONAL INFO / OPTIONS
1	Body	Stainless Steel 1.4408	Shot blasted
2	Cap	Stainless Steel 1.4408	Shot blasted
3	Ball	Stainless Steel 1.4408	Spares Part Number: 2906
4	Stem	Stainless Steel AISI 316	n/a
5	Ball Seat	PTFE + 15 GF	Spares Part Number: 2909
6	Gasket	PTFE	Spares Part Number: 2909
7	Thrust Washer	PTFE	Spares Part Number: 2909
8	O Ring	FKM	Spares Part Number: 2909



REF	SIZE	DN	PN	D	A	L	M	CxC	ISO
80038-10	2 1/2"	65	40	185	155	170	280	17X17	F07/F10
80038-11	3"	80	40	200	165	180	280	17X17	F07/F10
80038-12	4"	100	40	235	180	190	280	17X17	F07/F10
80038-13	5"	125	40	270	200	325	380	27X27	F10/F12
80038-14	6"	150	40	300	350	350	450	27X27	F10/F12



REF	Kg
80038-10	17.15
80038-11	21.2
80038-12	30
80038-13	50
80038-14	69.5



T +44 (0)1386 552369

E sales@allvalves.co.uk

W www.allvalves.co.uk

F +44 (0)1386



Genebre are a global brand of industrial valves with large stocks held for fast delivery on various type of valves, sizes, end connections and materials.

## SERIES: 80038

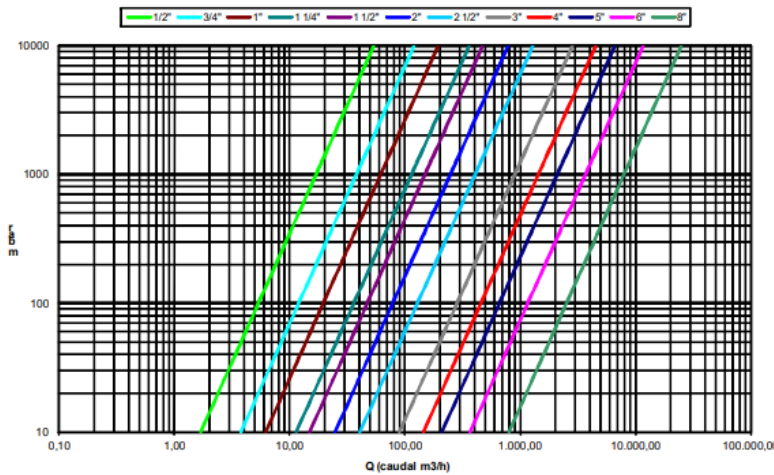
TORQUE / Kv VALUES / PRESSURE AND TEMP CHART

REF	SIZE	TORQUE Nm	REF	SIZE	Kv
80038-10	2 1/2"	34-36	80038-10	2 1/2"	410
80038-11	3"	58-60	80038-11	3"	900
80038-12	4"	90-95	80038-12	4"	1450
80038-13	5"	130-150	80038-13	5"	2150
80038-14	6"	190-210	80038-14	6"	3700

### TORQUE :

- The liquid listed in the table are initial breakaway torques, taken with liquids and lubricant media.
- Please regard these as approximate values, as the objective value on different factors like pressure, medium, rubber,

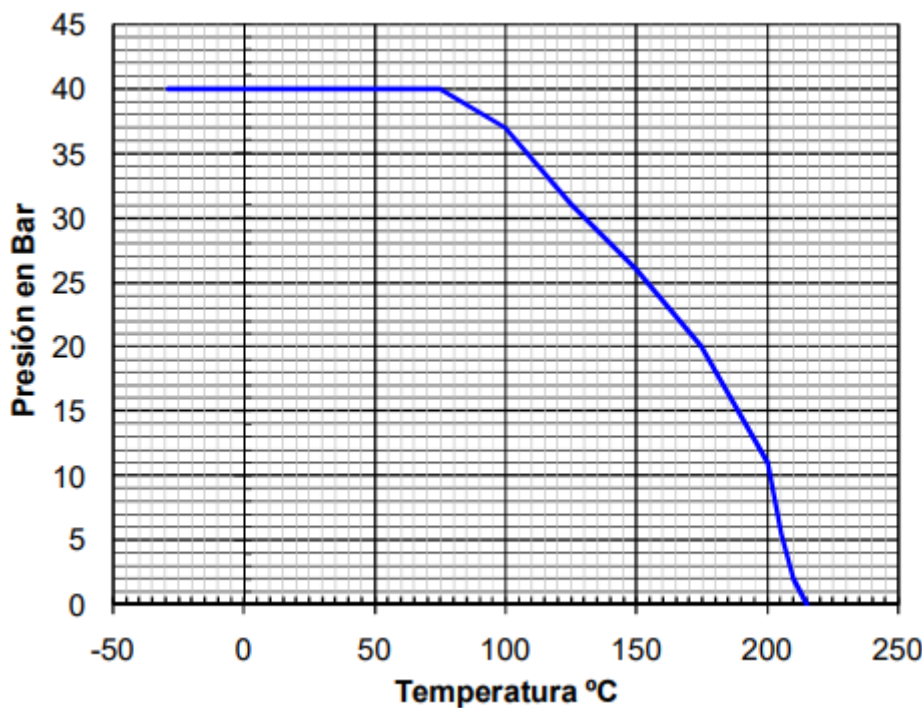
### HEADLOSS CHART



### KV VALUES:

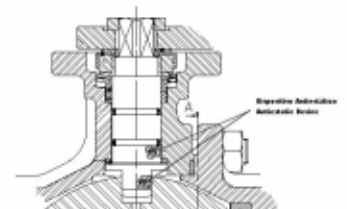
- The Kv values (M3 per hour) is the flow of water at a temperature of 5C to 30C (41F to 86F) at p of 1 bar
- For further information, please email [sales@allvalves.co.uk](mailto:sales@allvalves.co.uk)

### PRESSURE AND TEMPERATURE CHART



( 1 bar = 0,1 MPa ; 1 MPa = 1 N/mm<sup>2</sup> )

### Antistatic Device



This device provides Ball - Stem - Body of electric continuity. It is specially required with flammable fluids



T +44 (0)1386 552369

E [sales@allvalves.co.uk](mailto:sales@allvalves.co.uk)

W [www.allvalves.co.uk](http://www.allvalves.co.uk)

F +44 (0)1386